



Download from  
**Dreamstime.com**

This watermarked comp image is for previewing purposes only.



ID 35103813

© Yulia Gapeenko | Dreamstime.com

[Download Ebook Statistika](#)

### V. DESIGN STEPS FOR CANTENNA

**1. Prepare the can:** Obtain a clean, empty can (with one end open) of radius of 3.65cm - 4.67cm. It might be necessary to remove the lip at the edge of the can so that it does not interfere with reception. Here:  $r = 3.65\text{cm}$

**2. Mark the position for drill holes:** Use a Cantenna Calculator to calculate the dimensions - there are several available online. Below, is one based in an Excel spreadsheet and another on a do-it-yourself website (Figure 3). Mark the position for the N connector (at  $\frac{1}{4}$  of the waveguide length) with a pencil. Here:  $\frac{1}{4} LO = 3.1\text{cm}$

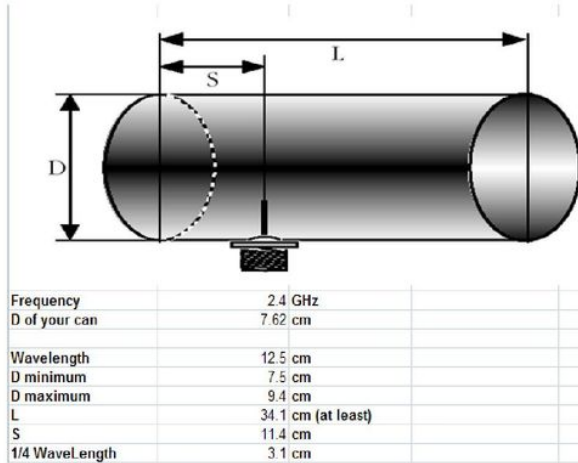


Figure 3: Cantenna Measurements (a)

**3. Drilling holes for the N connector and bolts:** Using a drill (or a nail in combination with a hammer if an electric drill is not available), drill a hole large enough to insert the N-connector and four holes for the securing bolts.

**4. Soldering the N connector and copper wire:** Cut the copper wire such that in total, the length of the connector and the wire is  $\frac{1}{4} LO = 3.1\text{cm}$ . Solder the wire onto the connector. After cooling, bolt the N connector into the can (to reduce obstructions, keep the bolts inside the can and the nuts on the outside).

**5. Connect to WLAN:** Connect the Cantenna to the computer’s wireless card using a pig-tail cable. Note: One of end of the cable will have the matching N male connector, the other will connect to the wireless card.

**6. Find the best reception:** Cantenna are linearly polarized. Rotate the Cantenna until the strongest signal is achieved. Use Kismet (Linux-compatible) to determine the strength of the wireless signal.

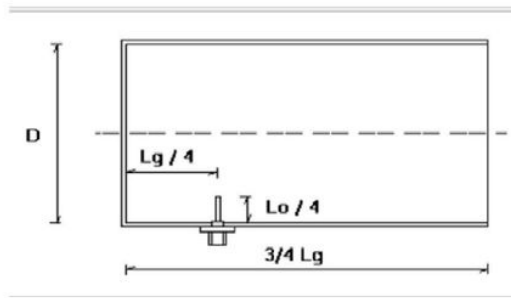


Figure 3: Cantenna Measurements (b)

### VI. ANTENNA TESTING

The Antenna testing is basically done on a desktop computer in college lab . The requirements for testing are :

1. Wi-Fi access point
2. Antenna
3. LAN card
4. Wireless software for wireless connectivity

The LAN card is fitted in the CPU and then an antenna is attached to it .The wireless software installation was done for enabling the wireless connectivity. I had developed a software coding through which we can measure the strength of signal in percentage which shows the accuracy in how much signal strength exactly we are getting. This idea came to my mind because our campus is WI-FI campus and there are around 86 access points all over the campus , but still the signal strength in some locations are still weak and due to which the speed is less. I had developed an Cantenna and tested in our

---

[Download Ebook Statistika](#)



Download from  
**Dreamstime.com**

This watermarked comp image is for previewing purposes only.



ID 35103813

© Yulia Gapeenko | Dreamstime.com

---

Statistika RsStatistika DasarStatistika RsDownload ebook gratis koleksi bulan march cache mirip silahkan download ebook gratis fisika dasar oleh satriawan sahed jurusan matematika prodi statistika.. Download game android 7 International relations 11th edition pdf sins. Download Ebook Seputar Investasi This page contains all websites related to: Statistika Untuk Penelitian Sugiyono Ebook.. Cache mirip des download ebook matematika universitas part download ebook modul kuliah statistika matematika teori peluang download book gratis penerbitan buku cache mirip book gratis langkah jadi penulis pemula penerbitan buku says info situs download gratis ribuan islam ribuan ebook berbagai bidang Download Buku Gratis ilmu cache mirip jul tugas merangkum yang.. Download Metoda Statistika, Prof Sudjana, M A Download Ebook Seputar Pendidikan Anak Dalam Islam.

Statistika at grenebookshop org - Download free pdf files,ebooks and documents Statistika DasarDownload ebook gratis koleksi bulan march cache mirip silahkan download ebook gratis fisika dasar oleh satriawan sahed jurusan matematika prodi statistika universitas hasanuddin buku pengantar statistik seni dan ilmu mengolah data cache nov pengantar statistik untuk mahasiswa buku digital gratis download ebook digital gratis home world download buku kimia organik download ebook matematika universitas download ebook gratis.

## **statistika mk**

statistika, statistikaamet, statistika adalah, statistika deskriptif, statistika inferensial, statistika mk, statistika komitesi, statistika covid, statistika kelas 12, statistika matematika, statistika covid 19, statistikos departamentas

## **statistikaamet**

## **statistika covid 19**

e10c415e6f